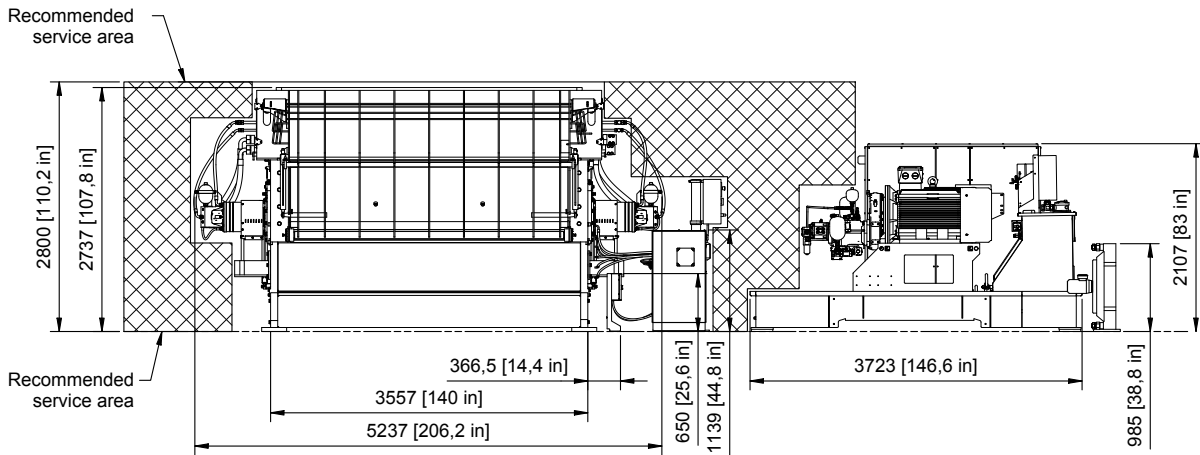
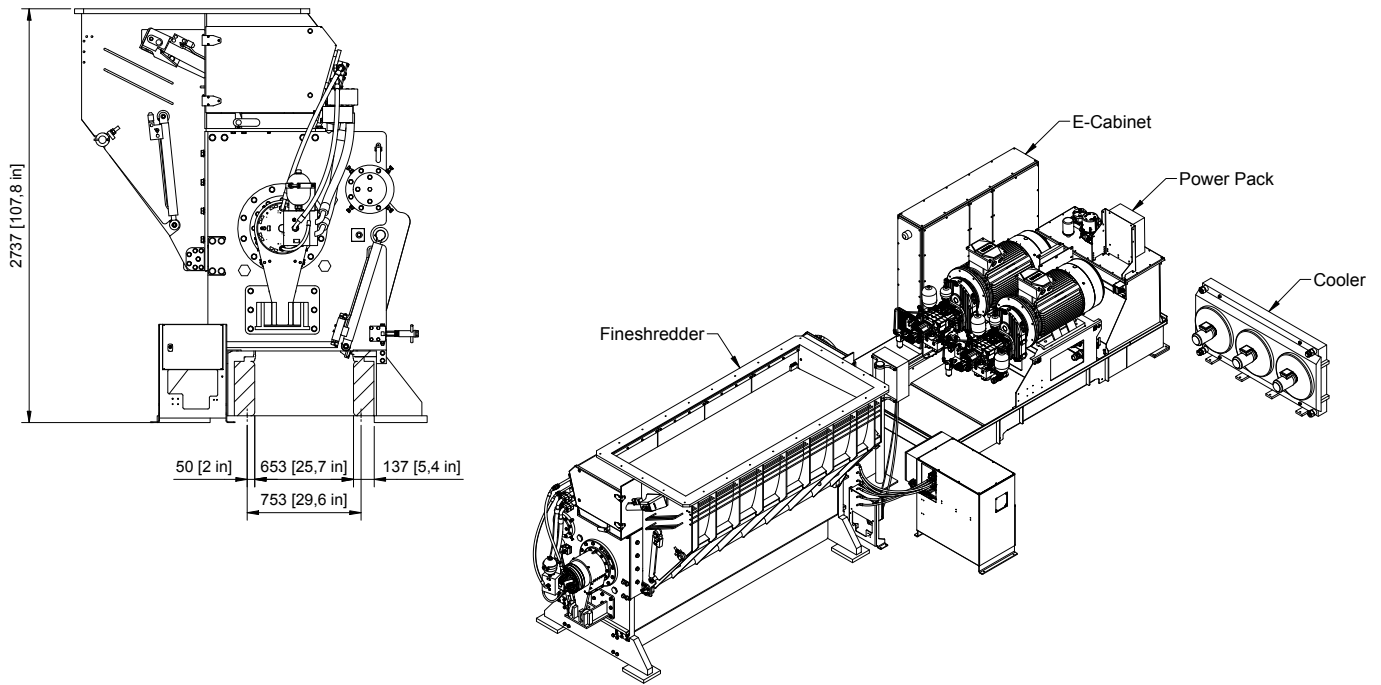


# M&J F320

FineShredder from M&J Recycling





Specification		
Overall dimensions standard delivery (LxWxH)	mm	5237 x 2250 x 2737
Weight total	ton	18.0
Standard colour	RAL	9002
Assembly of knives on the knife holder		Bolted
Knives info		
Number pr shaft	pcs	168
WSC 40	mm	40 x 40 x 12

**Capacity per hour** – Input material: <300 mm - presorted - continues feeding. Guide values only.

Up to 23 ton (90% below 50 mm)



## M&J F320



We aim to make your everyday life hassle-free. The M&J F320 is so strongly designed that it requires minimal maintenance

Low energy consumption, minimal daily servicing, and easy maintenance. It's all good news for your operating budget with the M&J F-series for alternative fuel production like RDF/SRF

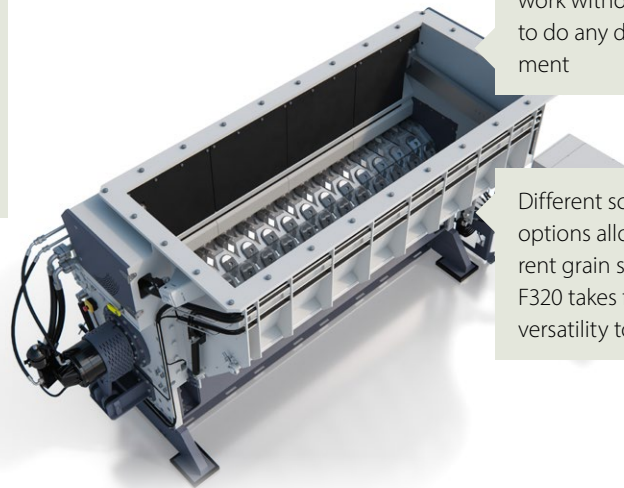
The M&J F320 is the epitome of a well-thought-out design. The focal point is high reliability and fast and easy service, so that downtime is limited to an absolute minimum

At the heart of the M&J F320 is the unique and highly efficient cutting system. It does all the work without you having to do any daily adjustment

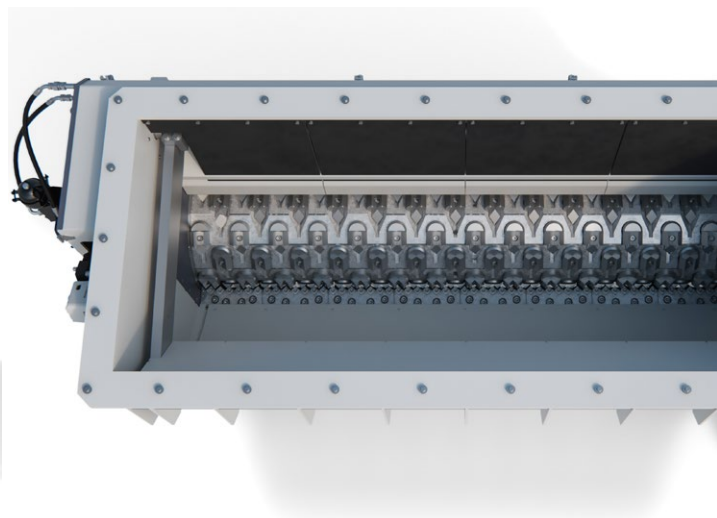
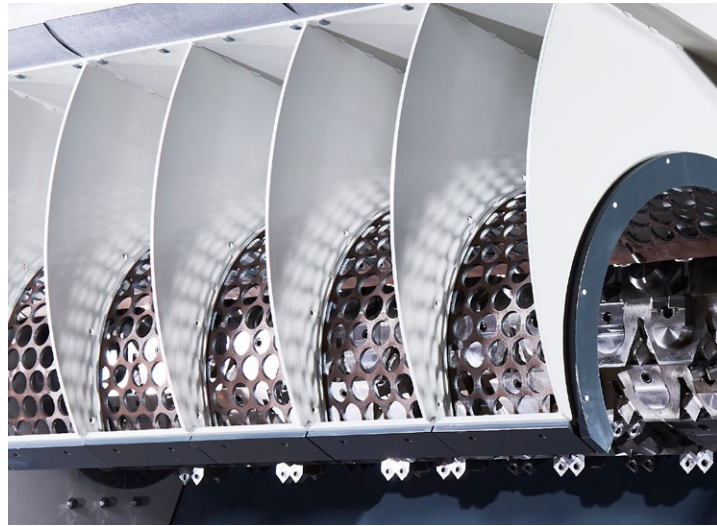
Minimal maintenance. Unique cutting system. Less heat generation. Expect the highest uptime on the market

Thanks to the leading cutting technology of the M&J F320, you get homogeneous output with minimal heat generation and limited fine particles

Different screen size options allow for different grain sizes. The M&J F320 takes flexibility and versatility to a new level



<b>Rotor</b>		
Number of rotor	pcs	1
Length / diameter of rotor	mm	3140 / 665
Number of knives	pcs	168
Standard rotating speed	rpm	100-290
<b>Power pack</b>		
Overall dimensions (LxWxH)	mm	3723 x 1572 x 2103
Weight total incl. oil and main cabinet	ton	6.6
Service area minimum recommended	mm	1000
Cooling capacity	kW	60
Effect	kW	2 x 200
Drive principle		Hydrostatic transmission



FOR MORE INFORMATION, CONTACT  
YOUR LOCAL M&J REPRESENTATIVE,  
OR CONTACT YOUR DEALER DIRECTLY.

[MJRECYCLING.COM](https://www.mjrecycling.com)

M&J | Vejlevej 5 | DK-8700 Horsens | Tel: +45 7626 6400 | [sales@mjrecycling.com](mailto:sales@mjrecycling.com)

The information in this document is provided for guidance only and as is without warranty of any kind, either express or implied, including but not limited to the implied warranties of merchantability, fitness for a particular purpose or non-infringement. Information in this document may include information not appropriate to specific configurations, or information which has not been updated. M&J Recycling has the right to make changes in the document without notice. Not all products or services are available in all countries. In no event shall M&J Recycling be liable for any damages. We reserve the right to make changes and improvements without notice.  
"M&J F320, UK". M&J Recycling, January 2023.