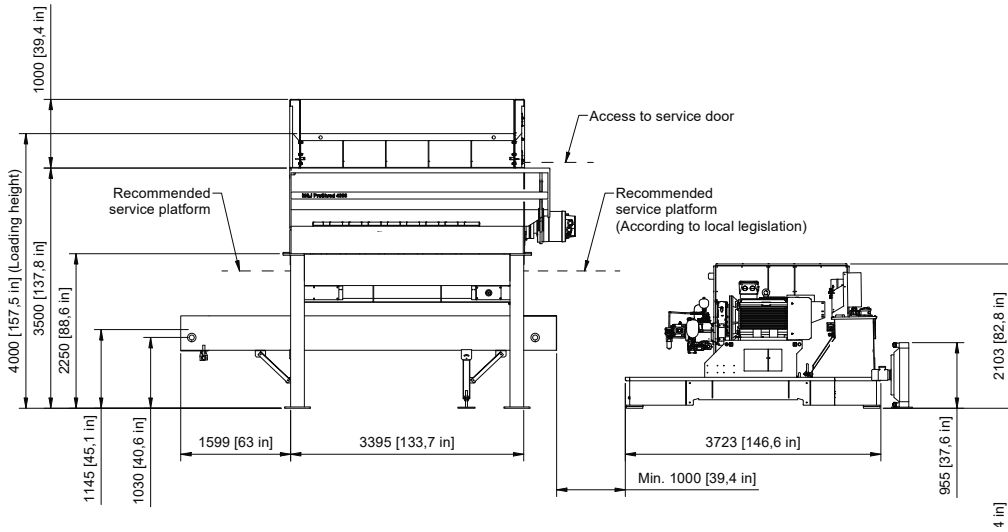


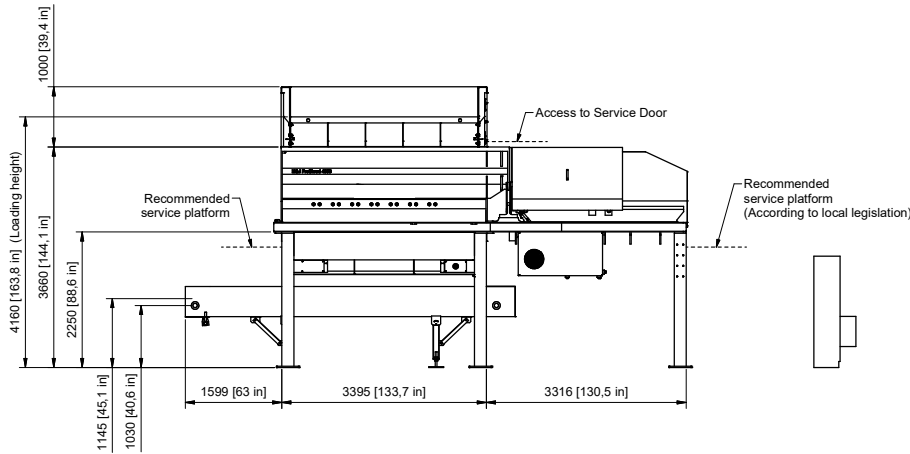
M&J B240

Bag-opener from M&J Recycling





Version with hydraulic drive



Version with electric drive

Specification		Hydraulic	Electric
Overall dimensions shredder with standard hopper (LxWxH)	mm	5682 x 2531 x 5000	8310 x 2531 x 5160
Standard colour	RAL	7011, 9002	7011, 9002
Loading height without standard hopper	mm	4000	4160
Cutting area	mm	2420 x 2000	2420 x 2000
Power pack			
Electric motor	kW	150	150
Electric control unit		PLC	PLC
Drive principle		Double hydrostatic transmission	Electric driven

M&J B240 bag-opener



Butterfly



7 knives cutting table – perfect to opening bags

Chassis		Hydraulic	Electric
Standard belt conveyor (LxW)	mm	5000 x 1225	5000 x 1225
Discharge height	mm	1145	1145
Discharge width	mm	1225	1225
Weight (inclusive / exclusive conveyor)	mm	1.8 / 1.0	1.8 / 1.0

Cutting Table			
Number of shafts	pcs	2	2
Rotating speed	rpm	Up to 40	Up to 50
Number of knives	pcs	7	7
Cutting area (LxW)	mm	2420 x 2000	2420 x 2000
Weight complete cutting table	ton	13.9	13.9
Capacity	ton/h	30	30



Number 1 in its class

- The M&J B240 bag-opener has a unique knife design made for the efficient opening of bags or bales
- Stones and dirt simply fall out of the open cutting table, so you avoid accumulation at the bottom
- High productivity without costly downtime saves your employees time and provides direct profit on the bottom line



FOR MORE INFORMATION, CONTACT
YOUR LOCAL M&J REPRESENTATIVE,
OR CONTACT YOUR DEALER DIRECTLY.

[MJRECYCLING.COM](https://www.mjrecycling.com)

M&J | Vejlevej 5 | DK-8700 Horsens | Tel: +45 7626 6400 | sales@mjrecycling.com

The information in this document is provided for guidance only and as is without warranty of any kind, either express or implied, including but not limited to the implied warranties of merchantability, fitness for a particular purpose or non-infringement. Information in this document may include information not appropriate to specific configurations, or information which has not been updated. M&J Recycling has the right to make changes in the document without notice. Not all products or services are available in all countries. In no event shall M&J Recycling be liable for any damages. We reserve the right to make changes and improvements without notice. "M&J B240 Bag Opener, UK". M&J Recycling, september 2021.