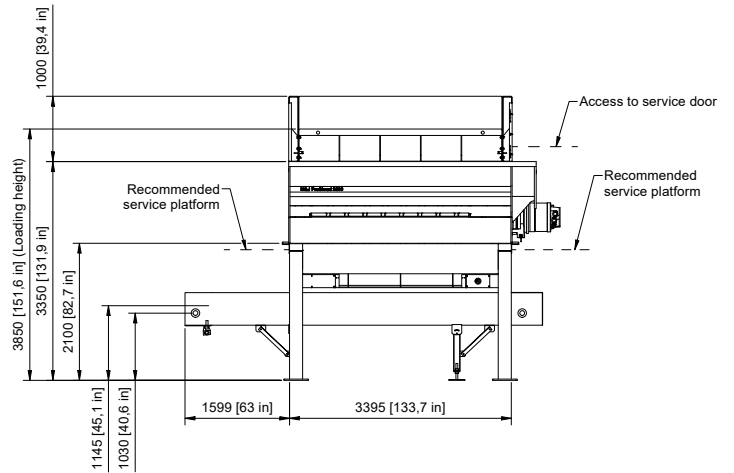
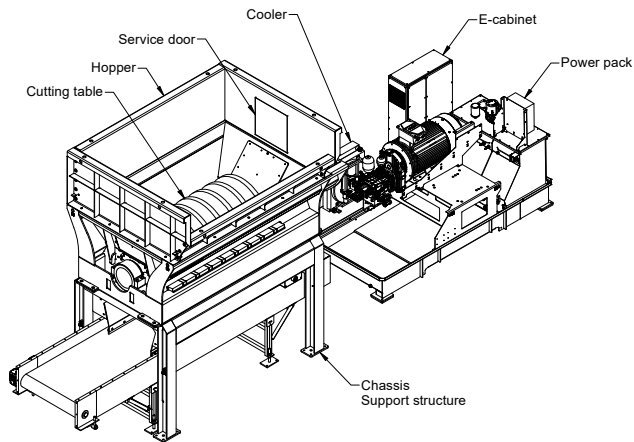
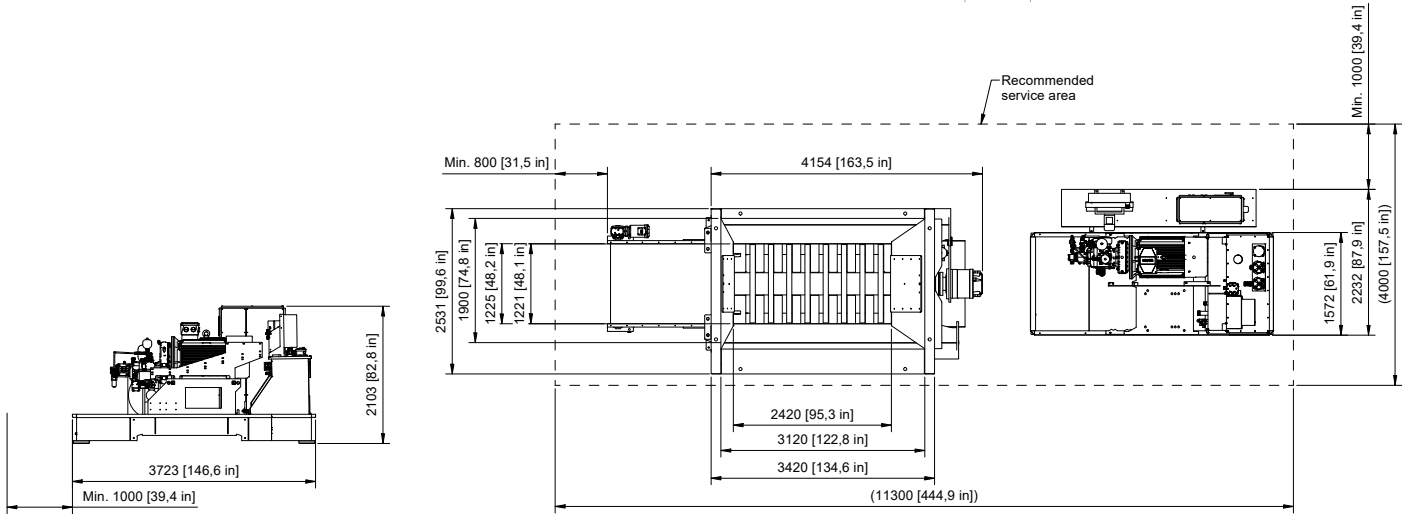


# M&J PreShred 2000S

Waste Pre-Shredders from M&J Recycling





Specification		
Overall dimensions shredder with standard hopper (LxWxH)	inch / mm	218 x 91 x 171.3 / 5536 x 2300 x 4350
Weight (total included standard conveyer)	metric ton / short ton	14.3 – 16.4 / 15.8 – 18.1
Standard colour	RAL	7011, 9002
Loading height with standard hopper	inch / mm	151.6 / 3850
Cutting area	inch / mm	95.3 x 48.1 / 2420 x 1221
Power pack		
Electric motor	horsepower	81 / 97 / 147
Electric control unit	Allen Bradley UL 508A	PLC
Drive principle		Hydrostatic transmission
Chassis		
Standard belt conveyer (LxW)	inch / mm	177 x 47 / 5000 x 1200
Discharge height	inch / mm	45 / 1036
Discharge width	inch / mm	47 / 1200
Weight (included / exclusive conveyer)	metric ton / short ton	2.6 / 1.6 / 2.9 / 1.8

**M&J PreShred 2000S**



Dragon sword



Classic



Tomahawk



Butterfly



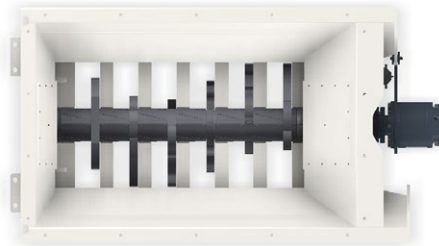
Tachi



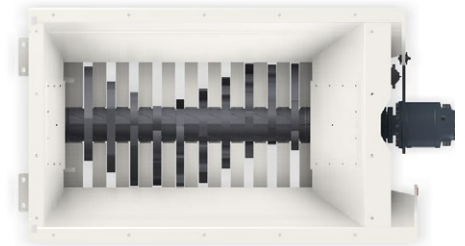
Samurai



Classic and Samurai knives are available in both Heavy Duty and High Performance version



Cutting table 6 knives



Cutting table 10 knives

**Cutting Table**

Number of shafts		1
Rotating speed	rpm	Up to 59
Number of knives		6 / 8 / 9 / 10
Number of counter knives		12 / 16 / 18 / 20
Cutting area (LxW)	inch / mm	95 x 48 / 2420 x 1221
Weight	metric ton / short ton	8.7 – 10.2 / 9.6 – 11.2

**Grain size\***

6 knives	inch / mm	<18 / <450
8 knives	inch / mm	<12 / <300
9 knives	inch / mm	<10 / <250
10 knives	inch / mm	<8 / <200

**Capacity per hour \*\***

Household waste	metric ton / short ton	Up to 70 / 77
Demolition wood	metric ton / short ton	Up to 40 / 44
Industrial waste	metric ton / short ton	Up to 20 / 22
Bulky waste	metric ton / short ton	Up to 25 / 28

\* 90% less than \*\* Depending on loading, grain size and density of the input material





FOR MORE INFORMATION, CONTACT  
YOUR LOCAL M&J REPRESENTATIVE,  
OR CONTACT YOUR DEALER DIRECTLY.

[MJRECYCLING.COM](http://MJRECYCLING.COM)

M&J | Vejlevej 5 | DK-8700 Horsens | Tel: +45 7626 6400 | [sales@mjrecycling.com](mailto:sales@mjrecycling.com)

The information in this document is provided for guidance only and as is without warranty of any kind, either express or implied, including but not limited to the implied warranties of merchantability, fitness for a particular purpose or non-infringement. Information in this document may include information not appropriate to specific configurations, or information which has not been updated. M&J Recycling has the right to make changes in the document without notice. Not all products or services are available in all countries. In no event shall M&J Recycling be liable for any damages. We reserve the right to make changes and improvements without notice.  
\*M&J 2000S PreShred, US\*. M&J Recycling, janvier 2023.