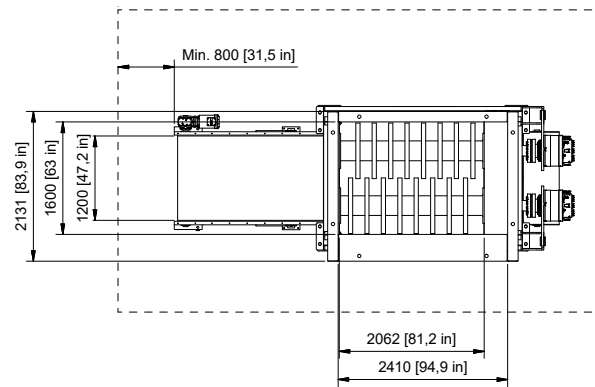
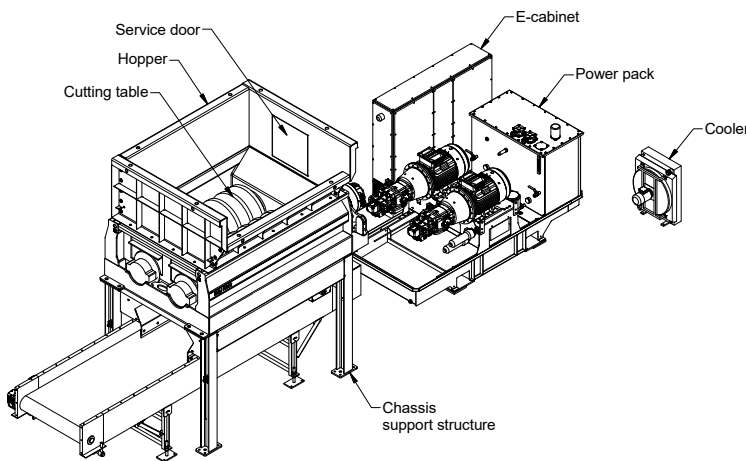
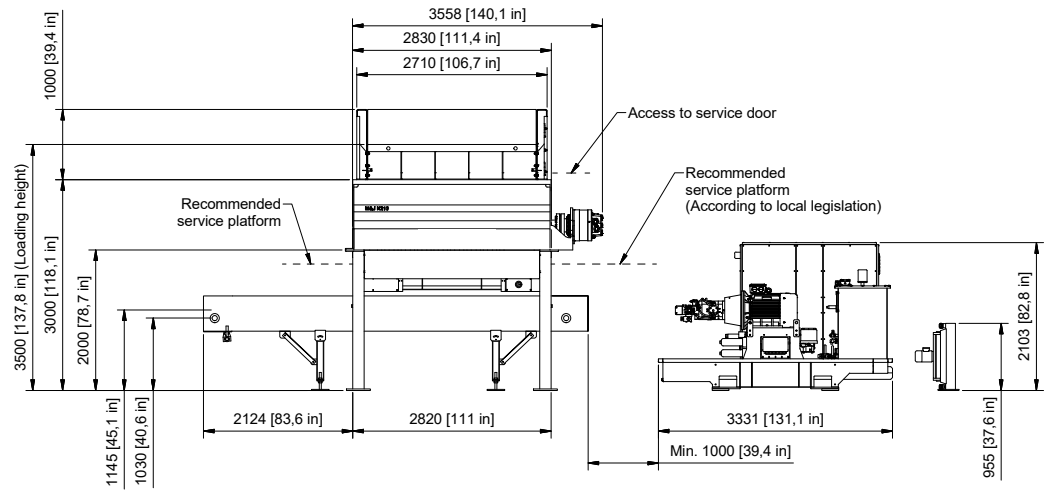


# M&J K210

Waste Pre-Shredders from M&J Recycling





| Specification  |     |                                 |
|--|-----|---------------------------------|
| Overall dimensions shredder with standard hopper (LxWxH) | mm  | 5682 x 2131 x 4000              |
| Weight (total included standard conveyor)                | ton | 10.5 - 11.4                     |
| Standard colour  | RAL | 7011, 9002                      |
| Loading height with standard hopper                      | mm  | 3500                            |
| Cutting area   | mm  | 2062 x 1600                     |
| Power pack   |     |                                 |
| Electric motor   | kW  | 2x75 / 2x110 / 2x132            |
| Electric control unit                                    |     | PLC                             |
| Drive principle  |     | Double hydrostatic transmission |
| Chassis  |     |                                 |
| Standard belt conveyor (LxW)                             | mm  | 5000 x 1200                     |
| Discharge height   | mm  | 1145                            |
| Discharge width  | mm  | 1200                            |
| Weight (included / exclusive conveyor)                   | ton | 2.0 / 1.1                       |

# M&J K210



Dragon sword



Classic



Tomahawk



Butterfly



Tachi



Samurai



Cutting table 7 knives



Cutting table 11 knives

### Cutting Table

|                               |     |                   |
|-------------------------------|-----|-------------------|
| Number of shafts              |     | 2                 |
| Rotating speed                | rpm | Up to 62          |
| Number of knives              |     | 7 / 8 / 9 / 11    |
| Number of counter knives      |     | 14 / 16 / 18 / 22 |
| Cutting area (LxW)            | mm  | 2062 x 1600       |
| Weight complete cutting table | ton | 7.7 - 8.7         |

### Grain size

|           |    |                   |
|-----------|----|-------------------|
| 7 knives  | mm | 90% less than 400 |
| 8 knives  | mm | 90% less than 300 |
| 9 knives  | mm | 90% less than 200 |
| 11 knives | mm | 90% less than 125 |

### Capacity per hour\*

|                  |     |          |
|------------------|-----|----------|
| Household waste  | ton | Up to 45 |
| Demolition wood  | ton | Up to 40 |
| Industrial waste | ton | Up to 20 |
| Bulky waste      | ton | Up to 25 |

\* Depending on loading, grain size and density of the input material





FOR MORE INFORMATION, CONTACT  
YOUR LOCAL M&J REPRESENTATIVE,  
OR CONTACT YOUR DEALER DIRECTLY.

[MJRECYCLING.COM](https://www.mjrecycling.com)

M&J | Vejlevej 5 | DK-8700 Horsens | Tel: +45 7626 6400 | [sales@mjrecycling.com](mailto:sales@mjrecycling.com)

The information in this document is provided for guidance only and as is without warranty of any kind, either express or implied, including but not limited to the implied warranties of merchantability, fitness for a particular purpose or non-infringement. Information in this document may include information not appropriate to specific configurations, or information which has not been updated. M&J Recycling has the right to make changes in the document without notice. Not all products or services are available in all countries. In no event shall M&J Recycling be liable for any damages. We reserve the right to make changes and improvements without notice.  
\*M&J K210 pre shredder, UK\*. M&J Recycling, september 2021.